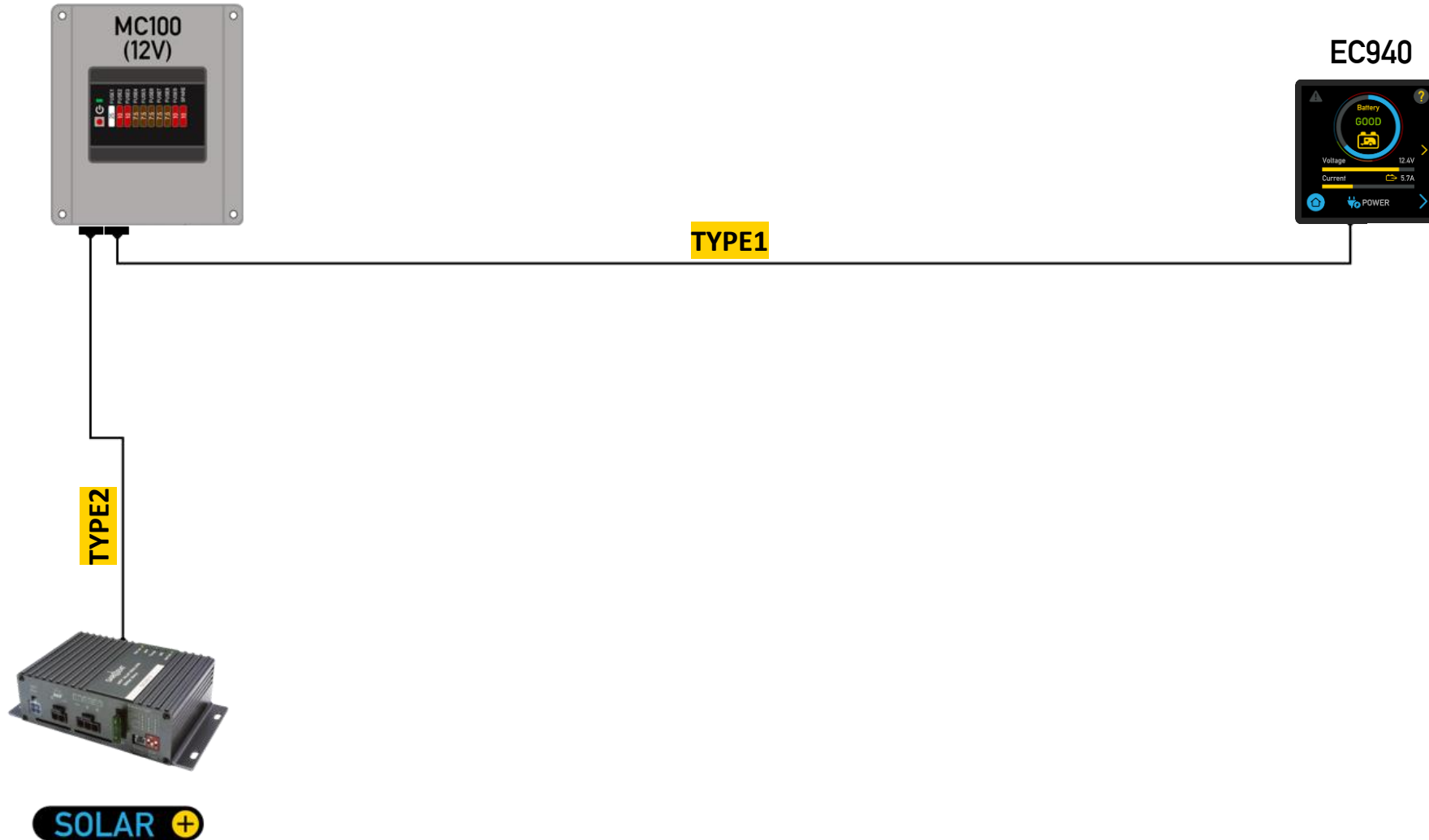


Modular System

Wiring Example – Simple System



CABLE TYPES

TYPE1



TYPE2



TYPE3

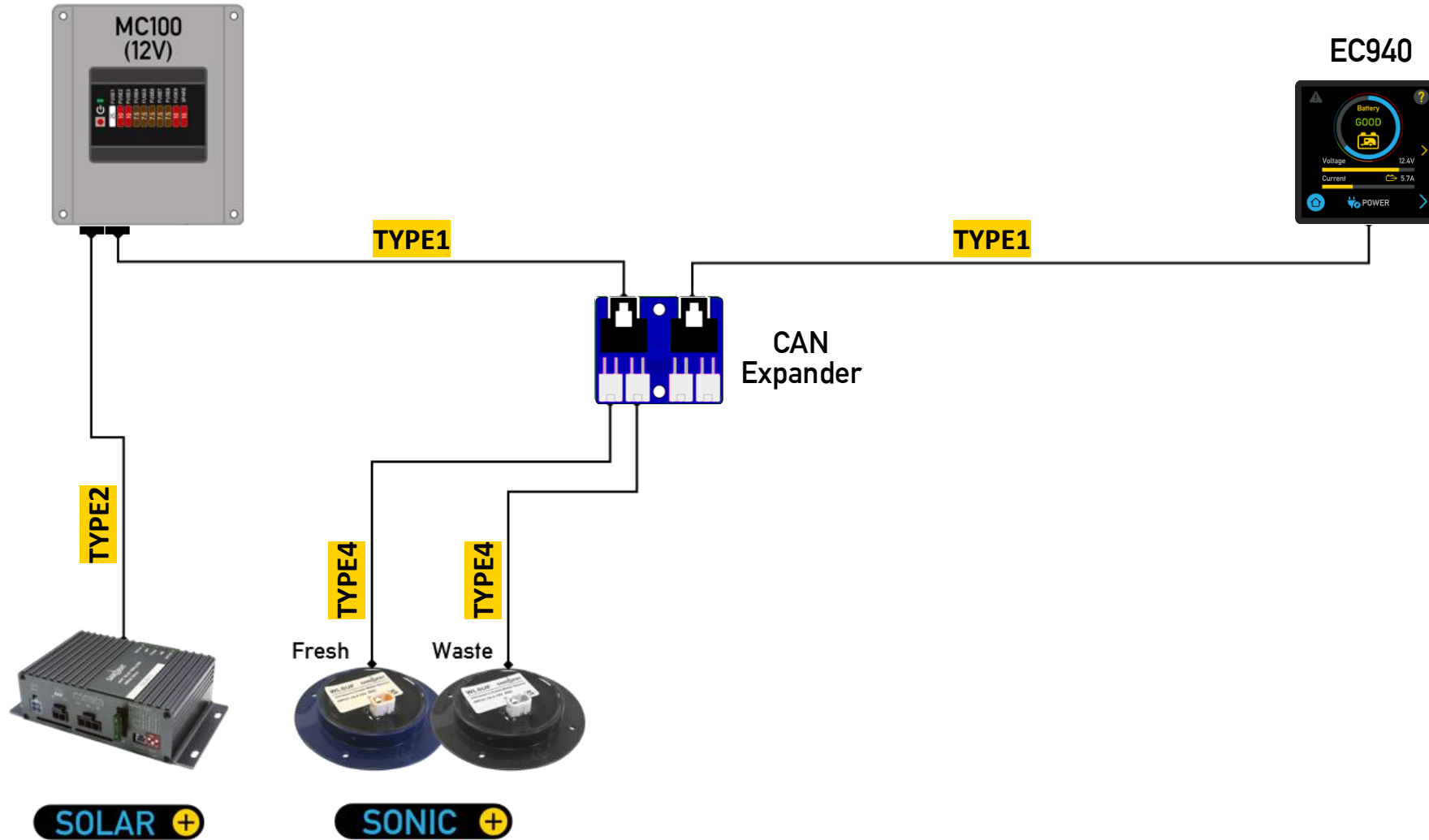


TYPE4



Modular System

Wiring Example – Mid System



CABLE TYPES

TYPE1



TYPE2



TYPE3

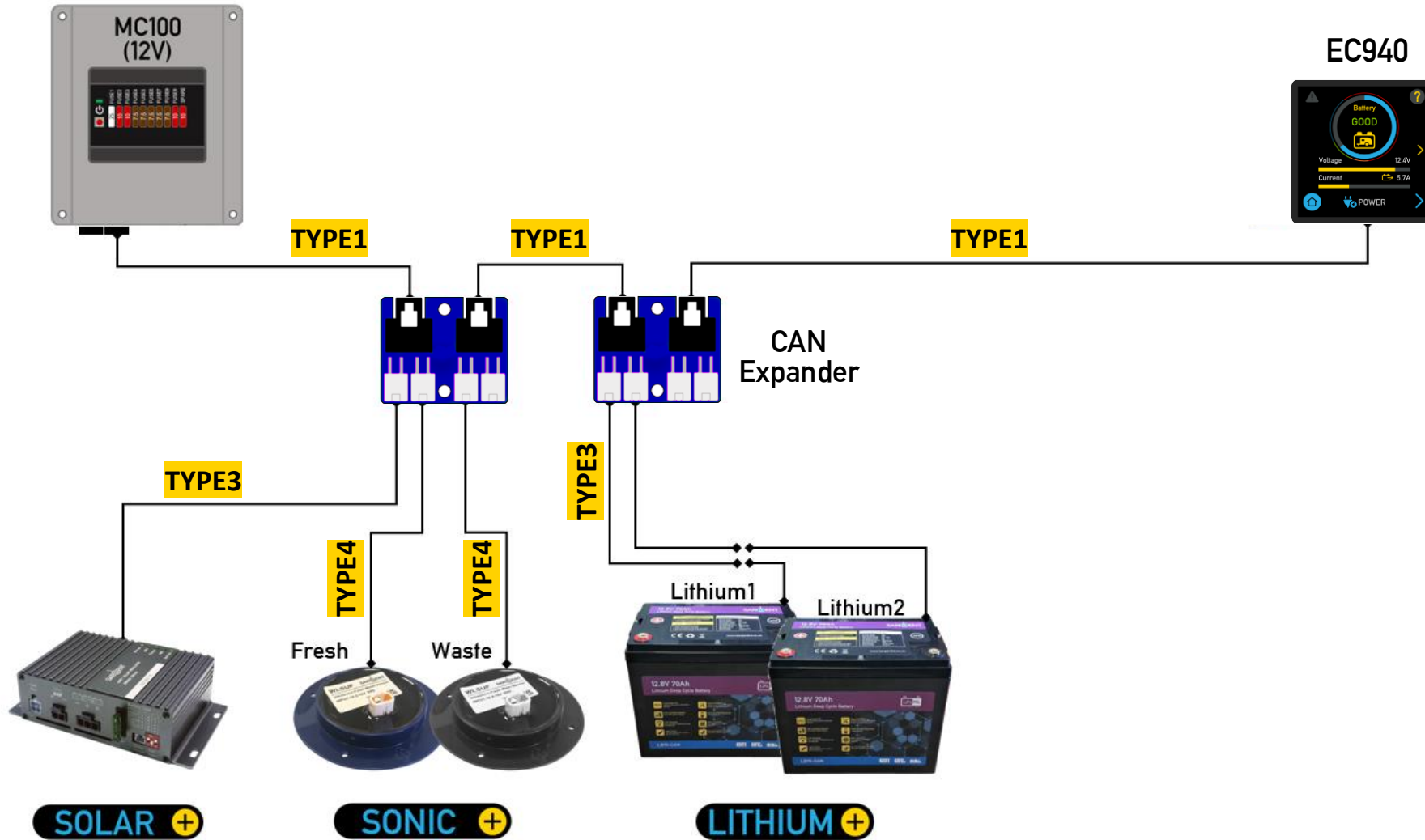


TYPE4



Modular System

Wiring Example – Full system



CABLE TYPES

TYPE1



TYPE2



TYPE3



TYPE4

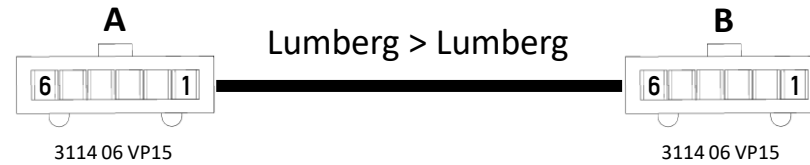


Modular System

CANBus Cables Pinout

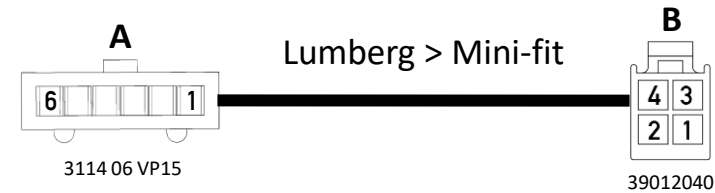
ALL VIEWS FROM ENTRY SIDE OF CONNECTOR

TYPE1



Pin A	Function	Colour	Pin B
1	+12V	Red	1
2	+12V	White	2
3	CAN H	Green	3
4	CAN L	Yellow	4
5	Negative	Blue	5
6	Negative	Black	6

TYPE2



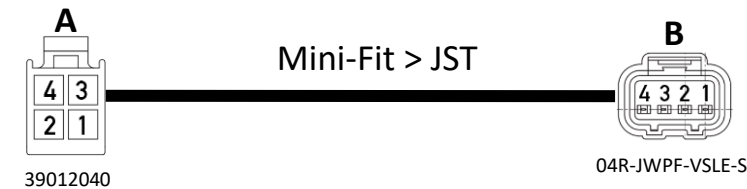
Pin A	Function	Colour	Pin B
1	+12V	Red	2
2	+12V	White	2
3	CAN H	Green	1
4	CAN L	Yellow	3
5	Negative	Blue	4
6	Negative	Black	4

TYPE3



Pin A	Function	Colour	Pin B
1	CAN H	Green	1
2	+12V	Red	2
3	CAN L	Yellow	3
4	Negative	Black	4

TYPE4



Pin A	Function	Colour	Pin B
1	CAN H	Green	2
2	+12V	Red	4
3	CAN L	Yellow	1
4	Negative	Black	3